

SL400EVK

400 N | for gates up to 400 kg per leaf



Motor warranty: 2 years

Max. gate weight with max. leaf width

400 kg max. weight per leaf

5 m max. width per leaf*

Max. cycles h/day: 7/25

Max. opening speed: 240mm/sec.

* 2-leaf application via synchronisation possible.
2nd Sliding gate drive required



Delivery kit SL400EVK

SL400EV



1x 24 V sliding gate operator

TX4EVF



2x 4-channel remote transmitter

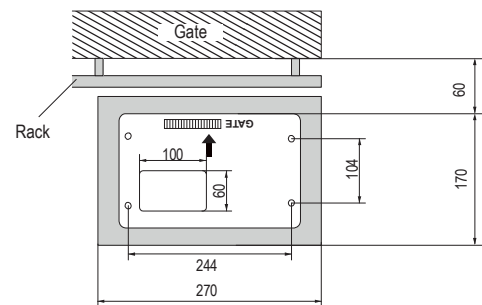
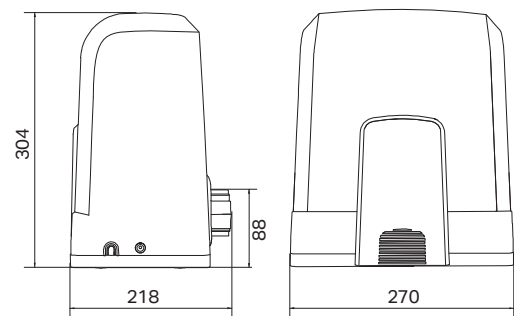
Controls up to 4 openers

041A0288



1 x control board

factory installed Includes transformer and integrated radio module



Further kits

- | | |
|--------------------|--|
| SL400EVK-01 | SL400EVK-Kit
+ infrared safety sensor (772E-01) |
| SL400EVK-02 | SL400EVK-Kit
+ flashing light (FLA1LED) |
| SL400EVK-03 | SL400EVK-Kit
+ infrared safety sensor (772E-01)
+ flashing light (FLA1LED) |

